

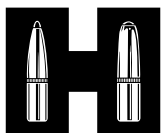
INSTRUCTIONS

LOCK-N-LOAD®  
BENCH REST GRADE  
**POWDER  
MEASURE**

Instructional videos for Hornady® reloading products are available at [hornady.com](http://hornady.com).



Item No.  
050130



**Hornady**  
*Accurate. Deadly. Dependable.*

Your Lock-N-Load® Bench Rest Grade Powder Measure Rotor has been nickel plated for long life and corrosion control, however it has also been treated with a rust preventative, which must be removed before use.

We recommend that you clean and degrease all moving parts with Hornady® One Shot® Gun Cleaner and Lube (black label).

### **TO DISASSEMBLE:**

1. Set the rotor; with the Metering Device horizontal, press the Push Button and hold it down while removing the Metering Device.
2. Remove the Handle, from the Powder Measure, by removing the two attaching screws with a 1/8" hex wrench.
3. Slide the Rotor out of the Housing by pressing gently on the handle side of the Rotor.
4. Be careful not to drop or otherwise damage the Rotor while it is out of the Body.
5. Turn the Micrometer thimble in the full forward position "0" to extend the rod and head from the Sleeve. (It should not be necessary to disassemble the Micrometer unit.) Spray all metal parts liberally with Hornady® One Shot® Gun Cleaner and Lube. Be sure all rust preventative is removed.
6. Allow it to dry thoroughly before reassembling it.

### **TO ASSEMBLE:**

Reverse the procedure in steps 1-4.

The Rotor and Housing are very closely fit and must be properly aligned to reassemble.

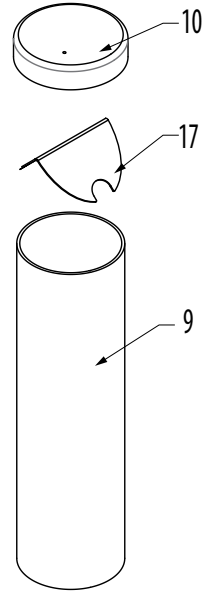
**DO NOT FORCE IT, OR IRREPARABLE DAMAGE WILL OCCUR.**

### **TO OPERATE AND ADJUST:**

1. Attach the Mounting Bracket to your bench using (two) #14 Binding Head Sheet Metal Screws or other suitable hardware. The screws should be approximately a half-inch back from the edge of the bench, and the smaller of the two large holes should be suspended off the bench.
2. Place the Powder Measure in the hole of the Mounting Plate and thread the Lock Nut onto the Powder Measure. Lock in place with the 3/32" hex wrench if desired.
3. Select the appropriate Drop Tube (*the small for 20 through 25 caliber, the large for 6.5mm and larger*), and screw it into the bottom of the Powder Measure until it is secure against the internal shoulder. (*Finger tight is all that is required.*)

## EXPLODED VIEW

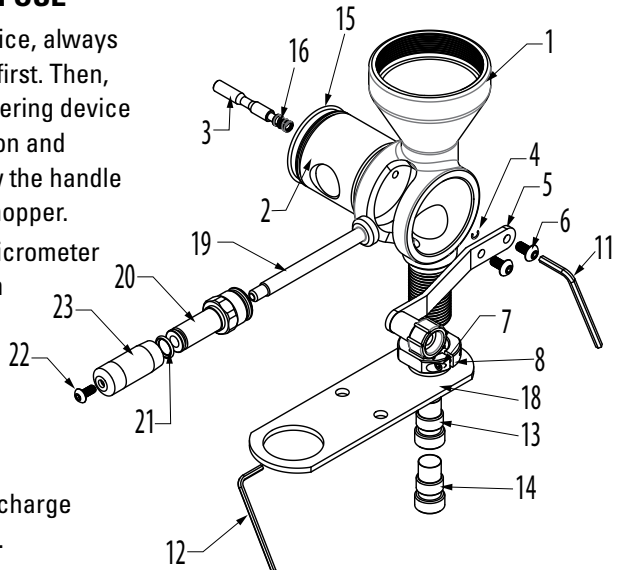
Item	Part Number	Qty	Description
1	398397	1	BENCH REST POWDER MEASURE BODY
2	398391	1	BENCH REST POWDER MEASURE ROTOR
3	398396	1	BENCH REST POWDER MEASURE BUTTON
4	392748	1	CLIP, C, FOR 5/32" O.D.
5	392752	1	POWDER MEASURE HANDLE
6	392719	2	BHCS, 10-32 X 3/8
7	390200	1	SOCKET HEAD CAP SCREW 5-40 X 3/8"
8	044000	1	LOCK RING
9	398520	1	POWDER MEASURE HOPPER TUBE
10	170405	1	POWDER HOPPER COP
11	390653	1	1/8" ALLEN WRENCH SHORT ARM
12	390656	1	3/32" ALLEN WRENCH SHORT ARM
13	390701	1	TUBE DROP - LARGE
14	390702	1	TUBE DROP - SMALL
15	392766	1	O-RING, #029 BUNA
16	392768	1	.24 O.D. X .38 L COMPRESSION RING
17	480027	1	POWDER BAFFLE
18	392760	1	MOUNTING BRACKET
19	398394	1	METERING ROD, BR
20	398393	1	SLEEVE, BENCH REST GRADE
21	390411	1	O-RING, #012, BUNA
22	392767	1	BHCS, 8-32 X 3/8
23	398395	1	MICROJUST/MICROMETER THIMBLE



## PRECAUTIONS:

### NEVER STORE POWDER IN POWDER MEASURE WHEN NOT IN USE

1. To remove the metering device, always be sure to drop any charge first. Then, with the handle and the metering device horizontal, depress the button and remove the unit. If you allow the handle to drop, you will empty the hopper.
2. Always be sure that your Micrometer Metering device is locked in place before operating.
3. Always verify your charges with a scale before loading.
4. Any moisture in the unit will cause powder to stick, and charge weights will vary drastically.



## WARRANTY

All Hornady® reloading tools and accessories are warranted against material defects and workmanship.

Hornady® electronic components are covered by a one-year warranty from the date of purchase.

This warranty is void if the product (1) has been damaged by accident or unreasonable use, neglect, improper service or other causes not arising out of defects in material or workmanship; or (2) has been altered or repairs have been made or attempted by other than authorized factory personnel; (3) is used commercially; or (4) has been altered or defaced in any way.

This warranty supersedes all other warranties for Hornady® products either written or oral. No other warranty is expressed or implied.

## PRODUCT REGISTRATION AND SERVICE

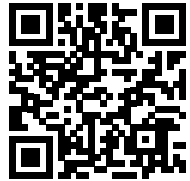
You must register your product to obtain Warranty Service. Complete the registration form at [hornady.com/warranties](http://hornady.com/warranties).

## TO RECEIVE WARRANTY SERVICE

To report a warranty claim, call Hornady® at 800-338-3220 to request a return authorization number. Returns will not be accepted without prior return authorization by Hornady®.

## POST-WARRANTY SERVICE INFORMATION

For issues concerning service after the Limited Warranty expires, contact Hornady® at 800-338-3220.



*Scan to register your product to receive the full benefit of its warranty.*

## PRODUCT SERIAL NUMBER AND REFERENCE INFORMATION

You must register your product in order to obtain warranty service. In the event you should need service for your product, please note the following information:

Serial Number \_\_\_\_\_

Date Purchased \_\_\_\_\_

Retailer \_\_\_\_\_

## WARNING: PRIMERS WILL EXPLODE!

1. Keep away from children.
2. Do not smoke near primers.
3. Primers are designed to explode and will do so when subjected to heat or percussion.
4. Always wear safety glasses when handling primers.
5. **DO NOT** force primers. All primers in the near vicinity of an exploding primer will usually also detonate violently. Do not store or handle primers in bulk.
6. For identification and safety, keep primers in their original protective packaging.
7. An absolute minimum of primers should be kept at the loading operation. Open only one package tray at a time.
8. Do not decap live primers.
9. Never attempt to seat, or reseal, a primer in a loaded round.

**Hornady Manufacturing Company**

P.O. Box 1848, Grand Island, NE 68802-1848 • [hornady.com/contact](http://hornady.com/contact)