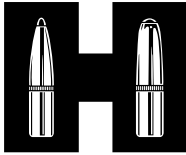
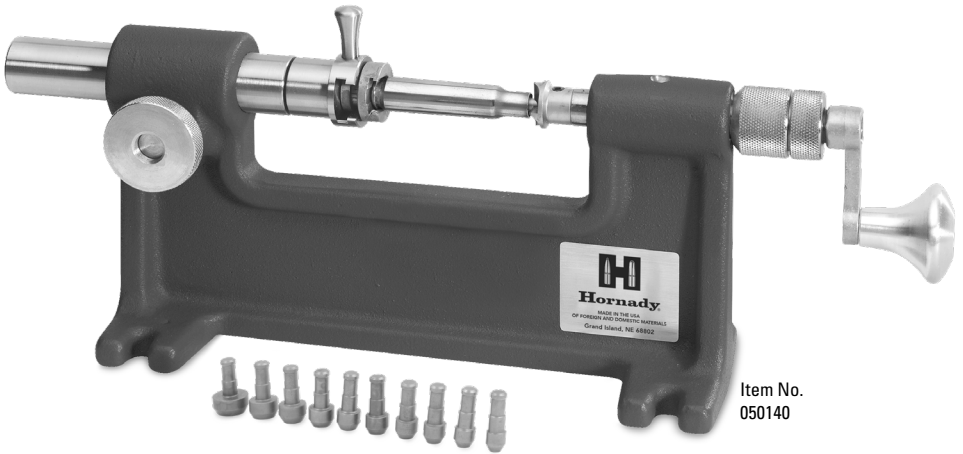


INSTRUCTIONS



Hornady[®]
Accurate. Deadly. Dependable.

Cam-Lock[™] Trimmer



Item No.
050140

Instructional videos for Hornady[®] reloading products are available at hornady.com.

Use only Hornady® brand shell holders with the Cam-Lock Trimmer. Other shell holder brands are not compatible with this unit.

The Hornady Cam-Lock™ Trimmer uses standard Hornady removable shell holder heads so you can use the same shell holder head in your trimmer and your Hornady reloading press. The Cam-Lock™ Trimmer can be mounted on a bench or clamped in a vise, and is adjustable for all sizes of cartridge cases.

INSTRUCTION

Assemble your Cam-Lock™ Trimmer by inserting cutter spindle into trimmer frame and screwing cutter into cutter spindle.

ADJUSTMENT AND OPERATION

1. To insert the correct shell holder head in the Cam-Lock™ Trimmer, turn shell lock counterclockwise until the spindle is clear of shell holder head slot and insert correct shell holder head. Return shell lock to its original position.
2. To insert pilot, loosen set screw in cutter and insert the correct size of pilot for your case neck. Retighten the set screw.
3. To adjust the trimmer to the desired length, pull the handle out until stopped by the cutter. Loosen the spindle lock knob about 1 turn. You may need to push in on the spindle lock knob to release the spindle. Slide the spindle back to make room for the case. Turn the shell lock counterclockwise until a case will fit in the shell holder. Move the cutter to the full in position. Move the spindle inward to start the pilot in the case mouth. Lock the case in place by turning the shell lock clockwise. Move the spindle in until the case is touching the cutter with the cutter in the full in position. Rotate the spindle until the shell lock handle is in vertical or another convenient position, and tighten the spindle lock. This is an appropriate setting.

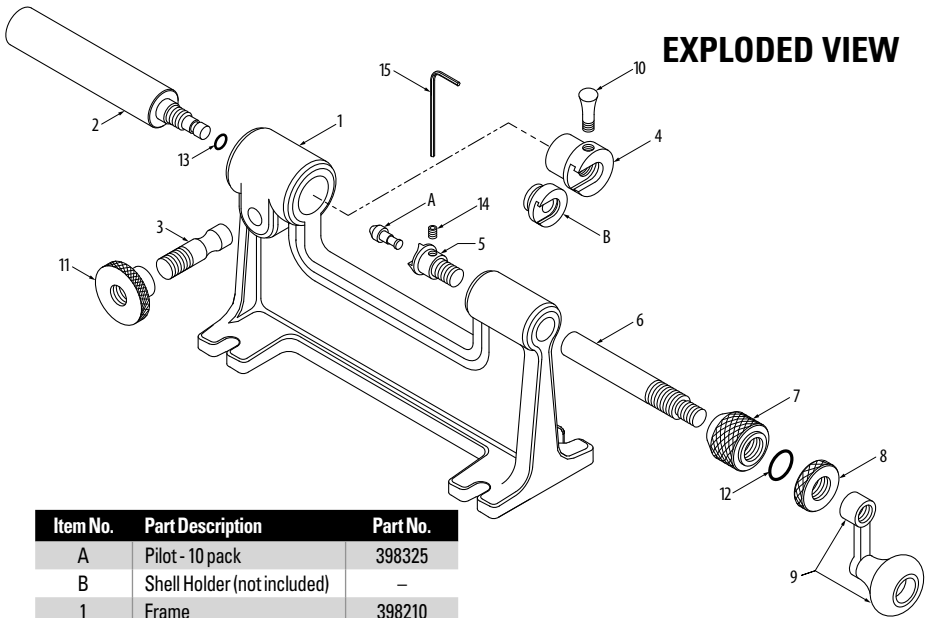
The Hornady Cam-Lock™ Trimmer has a fine adjustment feature on the cutter spindle. The cutter spindle adjustment nut, o-ring, and lock nut may be tightened to provide enough tension on the threads to allow changing the setting, while not allowing unintentional movement in operation. It should be locked in place by further tightening when adjustment has been achieved. To center the fine adjustment, turn the lock nut against the adjustment nut. Turn the lock nut and adjustment nut as a unit until the lock nut touches the handle. Back the lock and adjustment nut away from the handle about 3 turns. This should be about the center of the adjustment range.

4. Rotate the cutter handle with slight inward pressure. Pull back on the handle removing the pilot from the case mouth. Loosen the shell lock remove the case and measure. Make length adjustments by turning the adjustment nut relative to the cutter spindle. One full turn of the adjustment nut will make a .050" change in the trim length. Re-insert the case and trim again. When desired length has been achieved, make sure spindle lock and cutter adjustment nut are tight and proceed to trim cases as follows: Insert case in shell holder, start pilot in case mouth, lock case in place with shell lock, and rotate handle with slight inward pressure.

NOTE: Always start with pilot in mouth of case before locking case in shell holder.

5. Cases should be chamfered and deburred with Hornady Chamfering and Deburring Tool.

EXPLODED VIEW



Item No.	Part Description	Part No.
A	Pilot - 10 pack	398325
B	Shell Holder (not included)	-
1	Frame	398210
2	Spindle	398211
3	Spindle Lock	398212
4	Shell Lock	398213
5	Cutter	390972
6	Cutter Spindle	398215
7	Adjustment Nut	398216
8	Lock Nut	398217
9	Handle Assembly	398218

Item No.	Part Description	Part No.
10	Shell Lock Handle	398219
11	Spindle Lock Knob	398246
12	O-Ring 3/32 x 1/2 x 11/16	480083
13	O-Ring 1/16 x 3/16 x 5/16	392772
14	Pilot Set Screw	390724
15	Allen Wrench	380045

Trimmer Pilots

Item No.	Pilot No.	Bullet Dia.	Item No.	Pilot No.	Bullet Dia.	Item No.	Pilot No.	Bullet Dia.	Item No.	Pilot No.	Bullet Dia.
390940	22 - 20 cal.	.204	390948	6 - 270 cal.*	.277	390954	12 - 32 cal.	.333	390941	21 - 40 cal.	.400
390943	1 - 22 cal.*	.224	390949	7 - 7MM*	.284	390955	13 - .338 cal.*	.338	390959	17 - 41 cal.	.410
390944	2-22 Savage	.228	390950	8 - 30 cal.	.300	390956	14 - .348 cal.	.348	390960	18 - 44 cal.	.429
390945	3 - 6MM*	.243	390951	9 - 30 cal.*	.308	390957	15 - 38 cal.*	.358	390961	19 - 45 cal.*	.452
390946	4 - 25 cal.*	.257	390952	10 - 303 cal.	.312	390962	20 - 9.3MM	.361	390939	23 - 480/475	.475
390947	5 - 6.5MM*	.264	390953	11 - 8MM	.323	390958	16 - 375 cal.	.375	390937	50 - 50 cal.	.500

17 cal. Pilot/Cutter
No. 390942

Extra Cutter
No. 390972

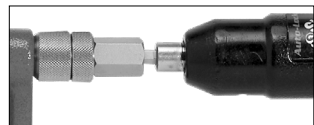
** Included with
Cam-Lock™ Trimmer*

ADDITIONAL PRODUCTS THAT MAKE CASE PREP EASY

Cam-Lock™ Power Trimmer Adapter

Replaces the hand crank and allows you to use a battery-operated screwdriver or drill.

No. 050145



Cam-Lock™ Chamfer/Deburr Tools

Mounts in place of the cutter to speed the chamfering and deburring process. It also keeps chamfers and deburrs square with the case mouth.

No. 050147



WARRANTY

All Hornady® reloading tools and accessories are warranted against material defects and workmanship.

Hornady® electronic components are covered by a one-year warranty from the date of purchase.

This warranty is void if the product (1) has been damaged by accident or unreasonable use, neglect, improper service or other causes not arising out of defects in material or workmanship; or (2) has been altered or repairs have been made or attempted by other than authorized factory personnel; (3) is used commercially; or (4) has been altered or defaced in any way.

This warranty supersedes all other warranties for Hornady® products either written or oral. No other warranty is expressed or implied.

PRODUCT REGISTRATION AND SERVICE

You must register your product to obtain Warranty Service. Complete the registration form at hornady.com/warranties.

TO RECEIVE WARRANTY SERVICE

To report a warranty claim, call Hornady® at 800-338-3220 to request a return authorization number. Returns will not be accepted without prior return authorization by Hornady®.

POST-WARRANTY SERVICE INFORMATION

For issues concerning service after the Limited Warranty expires, contact Hornady® at 800-338-3220.



PRODUCT SERIAL NUMBER AND REFERENCE INFORMATION

You must register your product in order to obtain warranty service. In the event you should need service for your product, please note the following information:

Serial Number _____

Date Purchased _____

Retailer _____

Hornady Manufacturing Company
P.O. Box 1848, Grand Island, NE 68802-1848
hornady.com/contact