

Hornady®

LOCK-N-LOAD®

1911 AUTO PRIMER TUBE FILLER

**Fills 100 count primer
tube in 10-15 seconds.**



- Ergonomic handle positions tray at optimum angle for feeding primers.
- Powered by two AAA batteries (not included).



Detachable primer tray is easy to load and is compatible with all manufacturer's primer packaging.



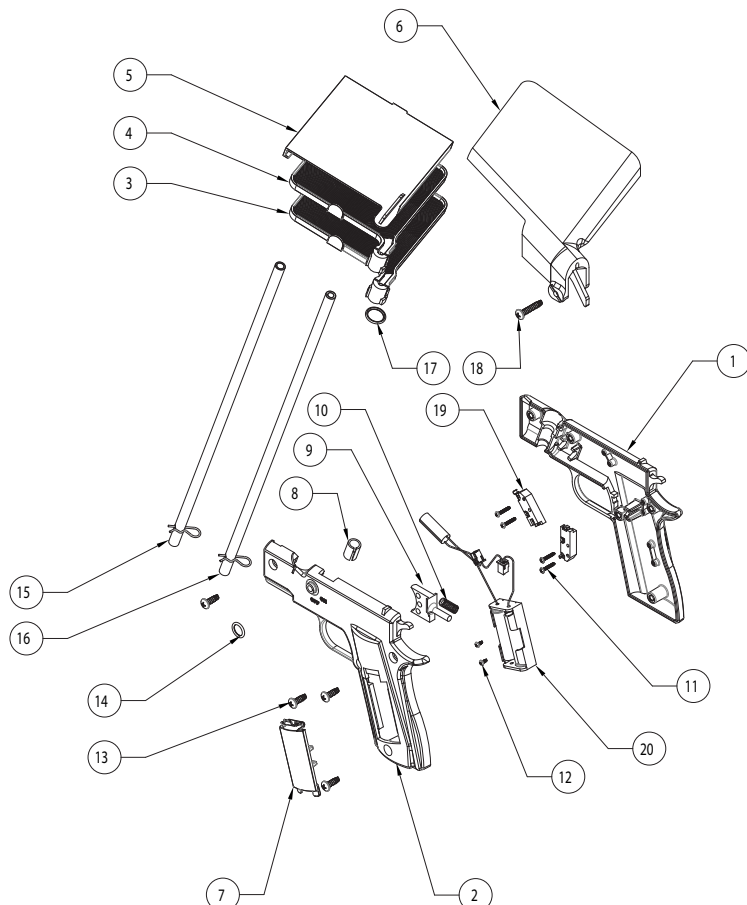
Ergonomic grip design uses a vibratory motor to fill primer tubes in 10-15 seconds.



Remove the (primer) tube to quickly re-fill progressive press priming systems.

PART NUMBERS

ITEM NO.	PART NO.	DESCRIPTION
1	399410	1911 FRAME RIGHT
2	399411	1911 FRAME LEFT
3	399412	SM PRIMER TRAY 1911
4	399413	LG PRIMER TRAY 1911
5	399414	PRIMER TRAY LID
6	399417	SAFETY SHIELD
7	399415	BATTERY DOOR
8	399418	TUBE CLAMP
9	399416	TRIGGER
10	399419	TRIGGER SPRING
11	399421	SCREW 2-28X1/2 PLASTITE
12	399424	SCREW 2-28X3/16 PLASTITE
13	399422	SCREW 8-16X1/2 PLASTITE
14	390411	O-RING 012 BUNA
15	399425	LG PRIMER TUBE 1911
16	399426	SM PRIMER TUBE 1911
17	399420	O-RING 014 BUNA
18	399423	SCREW 8-16X7/8 PLASTITE
19	399262	SWITCH OMRON ROLLER LEVER
20	399427	WIRING HARNESS 1911



INSTRUCTIONS

SETUP/ASSEMBLY

Ensure that all components are present. Before using the tool, the safety shield must be installed. Place the small o-ring (14) in the slot located around the raised screw hole that says, "ON/OFF"

Position the shield as seen in **Figure 1**. Keeping the rear leg of the shield vertical, slide it into position so its screw hole lines up with the hole in the frame. Slight rotation might be necessary to get it into position. Once in position, use a Phillips screw driver to install and lightly tighten the included 8-16x7/8 screw (18). The screw should be just tight enough to hold the shield securely in position.

Next, ensure that an o-ring (17) is present in the tray mounting location (**Figure 2**). The o-ring should be pre-installed, but there are also extra o-rings included.

USING THE TOOL

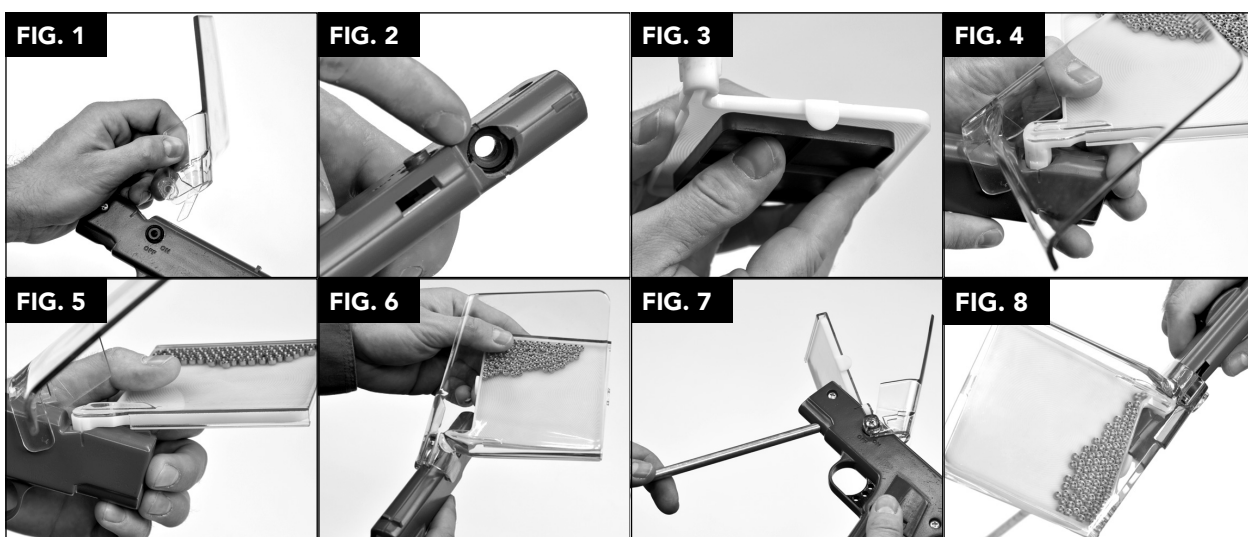
With an open container of primers in one hand, position the correct size 1911 primer tray upside down over the primers. (**Figure 3**) Holding the two trays tight against each other, flip them 180 degrees so the 1911 primer tray is on the bottom. Remove the original packaging the primers came in.

At this point, all the primers should be right side up, with their anvils showing. If any primers are upside down, place your thumb over the tray's chute to prevent primers from escaping and shake the tray back and forth. The primers should flip anvil side up.

Keeping the tray tilted so the primers sit away from the chute, slide the lid onto the tray until it is against its stops. Install the tray on the frame by first positioning it as shown in **Figure 4**. There are marks on the tray and frame to help align them. Press the tray into the frame until the bottom of the tray is flush with the top of the frame (**Figure 5**). Twist the tray clockwise until it stops to lock it into position (**Figure 6**).

Insert the correct size primer tube through the bottom of the frame and into the chute of the primer tray with a twisting motion (**Figure 7**). Ensure there is a cotter pin in the cross-hole at the bottom of the tube.

You are now ready to feed primers. The safety shield activates the tool's vibratory motor-it must be folded down, so it's pointing to the "ON" position, in order to use the tool. Squeezing the trigger should now cause the tool to vibrate. Feed the primers into the chute single file, as shown in **Figure 8**. The technique used to "flow" primers into the chute has a large effect on the speed at which primers feed, and may take some experimentation to perfect. When feeding the last few primers, sometimes it helps to momentarily squeeze the trigger as opposed to holding it down.



NOTE/WARNING

In the event that a primer tips into the chute and gets stuck: First, try gently shaking the tool from side to side, but never strike the tray or tool. If this does not dislodge the primer, remove all other primers from the tray and tube. Remove the tray lid and use a utensil with a small tip to gently remove the primer. Use very little force, and never strike the primer. Always wear safety glasses.