

Hornady[®]
Accurate. Deadly. Dependable.

INSTRUCTIONS

MAGNUM DIGITAL VIBRATORY TUMBLER



Item No. 050240

Instructional videos for Hornady[®] reloading products are available at hornady.com.

IMPORTANT SAFETY INSTRUCTIONS

Read All Instructions

Reloading is an enjoyable and rewarding experience. This case tumbler will add to the quality of your reloaded ammunition. It has been designed from the beginning with the user's safety in mind.

As with any mechanical device, safety rules must be followed. By observing these rules, the chance of a hazardous occurrence becomes extremely remote.

GENERAL

- Use the equipment as the manufacturer recommends.
- Study the instructions carefully and become thoroughly familiar with the operation of the machine. Don't take short cuts.
- Observe "good housekeeping" in the reloading area.
- Keep tools and components neat, clean and orderly.
- Wear adequate eye protection.
- This appliance is not intended for use by persons (including children) with reduced physical, sensory or mental capabilities, or lack of experience and knowledge, unless they have been given supervision or instruction concerning use of the appliance by a person responsible for their safety.
- Keep out of reach of children.
- As with any phase of reloading, exposure to lead is a possibility. Do not eat, drink or use tobacco while using this product. Wash hands thoroughly after use.
- The tumbler should operate with at least 3.5 pounds of brass and media in the hopper to prevent damage from excessive vibrations.

WARNINGS

- Read this instruction manual thoroughly before attempting to operate this product.
- Do not use any chemicals other than those specifically recommended by the manufacturer for cartridge case cleaning.
- Do not attempt to salvage badly corroded cases which might be structurally weak.
- Do not attempt to clean loaded ammunition under any circumstances.
- Do not tumble loaded ammunition, live primers or cartridge cases that contain live primers.

ELECTRICAL

- The 110VAC unit is equipped with a two prong cord. Plug only into a proper outlet.
- Do not work on wet floors.
- Keep all electric cords away from moisture and moving parts.
- Periodically check all cords for worn/frayed spots and replace or repair to code if needed.
- If the supply cord is damaged, it must be replaced by the manufacturer, its service agent or similarly qualified persons in order to avoid a hazard.

OPERATOR

- Wear clothing that is not loose. Loose clothing can be drawn into machinery.
- Keep your hands and fingers away from “danger” spots where they might be injured.
- Keep children and visitors away from machinery.
- Take off loose jewelry before using machines. Be sure that all moving parts are shielded and all guards are in place before operating any equipment.

RECORD KEEPING

Keep complete records of reloads. Apply a descriptive label to each box showing the date produced and the primer, powder and bullet used. Labels for this purpose are packaged with Hornady bullets.

Since Hornady has no control over the choice of components, the manner in which they are assembled, the use of the product, or the firearms in which the resulting ammunition may be used, no responsibility, either expressed or implied is assumed for the use of ammunition reloaded with this product.

INTRODUCTION

The Hornady Case Tumbler has been designed specifically for cleaning and polishing a large quantity of cartridge cases quickly and efficiently. Features of the case tumbler include a 5 quart full working capacity, thick bowl, wide, stable base and a quiet fan-cooled, sealed ball-bearing motor. The digital timer can be set from 30 minutes to 8 hours. This case tumbler is easy to use and by following these instructions, should provide safe, maintenance-free operation.

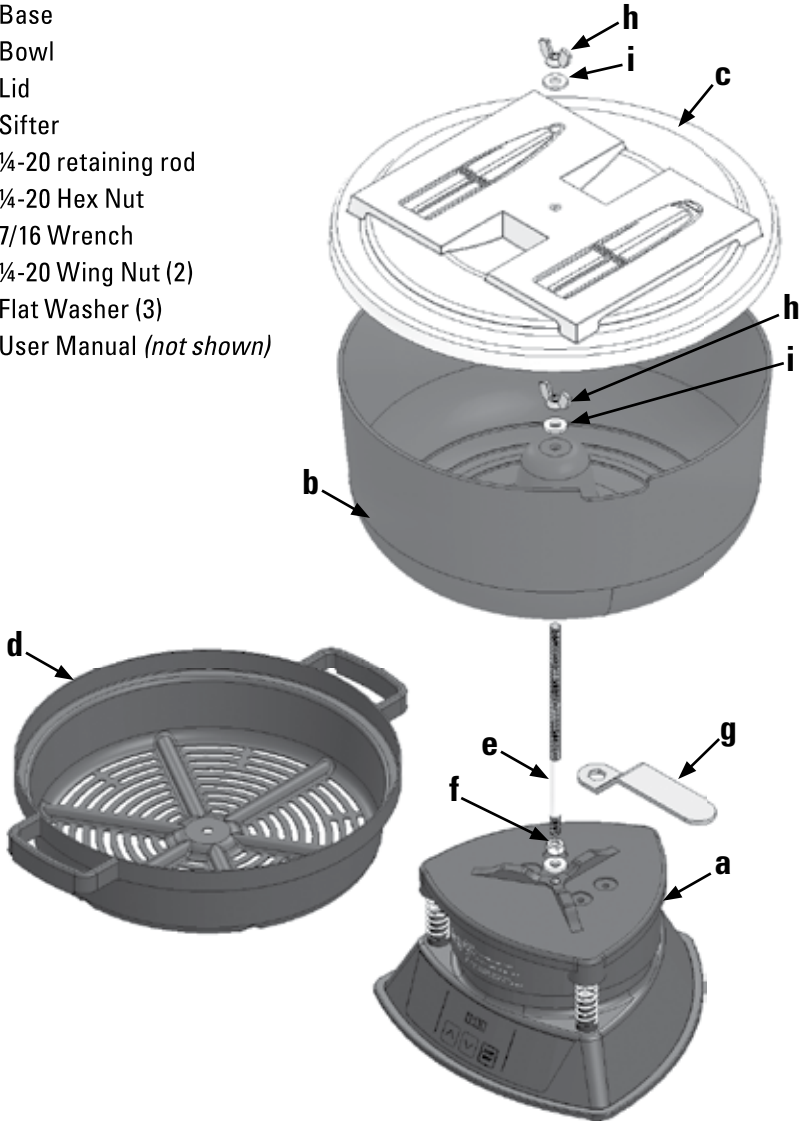
UNPACKING

Unpack the case tumbler and take a few minutes to review these instructions and familiarize yourself with the various parts of the tumbler.

ASSEMBLING THE CASE TUMBLER

1. Remove components from packaging.

- a. Base
- b. Bowl
- c. Lid
- d. Sifter
- e. ¼-20 retaining rod
- f. ¼-20 Hex Nut
- g. 7/16 Wrench
- h. ¼-20 Wing Nut (2)
- i. Flat Washer (3)
- j. User Manual (*not shown*)



2. Assemble the Retaining Rod into the base by screwing the $\frac{1}{4}$ " Hex Nut onto the end of the Retaining Rod with the shorter threads. It should screw on about $\frac{3}{8}$ ".
3. Place a washer onto the Retaining Rod before screwing into the Base.

NOTE: If while screwing the Retaining Rod into the Base you feel resistance before the washer and nut are tight, back the Retaining Rod off by one turn.

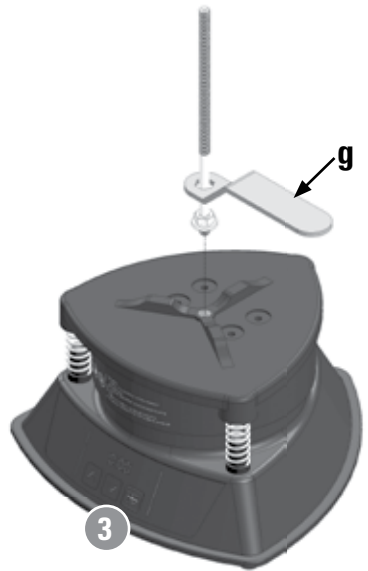
4. Tighten the Hex Nut with the included Wrench, careful not to overtighten.
5. The Bowl can now be placed over the Retaining Bolt and is held onto the base with the Washer and Wing Nut.

6. The Lid is held in place with the second Washer and Wing Nut.

To operate the tumbler, place brass cases and approximately 2 quarts of tumbling media into the bowl.

NOTE: While the maximum total fill weight is 10 pounds, the unit works best with 5 to 8 pounds of cases and media. The tumbler should have at least 3.5 pounds of brass and media to prevent damage from excessive vibrations.

Use the switch on the front of the unit to turn the unit on and off.



OPERATING INSTRUCTIONS

After unpacking the case tumbler, set the unit on a solid, level surface to operate. The cleaning bowl is engineered to create a fast internal cyclonic action. For best results, the bowl should be at least half full with dry media. Then, load with cases. The unit will hold approximately (600) 38 Special cases, (250) 30-06 cases or the equivalent amount of other sized cases. The best ratio of cases and media will be determined by you as you use the unit. Replace the lid and tighten the nut in the center of the lid. Plug the power cord into the electrical outlet and follow the keypad instructions below to set the timer and begin tumbling.

NOTE: *When first plugging in the tumbler, the screen will display "OFF." Press the START/STOP button before setting the time.*

1. Press the UP or DOWN arrow to increase or decrease the tumbling time in 30-minute increments for 0:30 minutes to 8:00 hours.
2. Press and release the START/STOP button to begin tumbling.

NOTE: • *Set time to ON for continuous operation.*
• *Press and hold START/STOP button to power off unit.*

Running time will be determined by the condition of the cases and the degree of cleanliness desired.

To empty the bowl, first turn the unit off and unplug the power cord. Then remove the lid by unscrewing the nut in the center of the lid. Next, simply turn the entire unit upside down to pour the contents into a container. Again, be sure to unplug the unit from the electrical outlet. Separating the media from the cases can be made easier with the use of the included Media Sifter Pan.

EMPTYING THE CASE TUMBLER

The included Media Sifter Pan can be placed into a large bucket or box. The handles are designed to set onto the rim of a standard 3 or 5 gallon bucket (not included). The sifter can then be gently shaken side to side to continue separating the tumbling media from the cases.



SOLD SEPARATELY:

The Hornady Rotary Media Sifter (050207) quickly separates brass cartridge cases from tumbling media. With a few turns of the handle, media falls to the bottom of the sifter, leaving cases clean and ready to use.

WARRANTY

All Hornady® reloading tools and accessories are warranted against material defects and workmanship.

Hornady® electronic components are covered by a one-year warranty from the date of purchase.

This warranty is void if the product (1) has been damaged by accident or unreasonable use, neglect, improper service or other causes not arising out of defects in material or workmanship; or (2) has been altered or repairs have been made or attempted by other than authorized factory personnel; (3) is used commercially; or (4) has been altered or defaced in any way.

This warranty supersedes all other warranties for Hornady® products either written or oral. No other warranty is expressed or implied.

PRODUCT REGISTRATION AND SERVICE

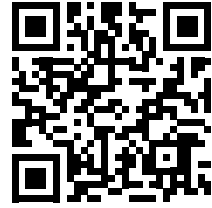
You must register your product to obtain Warranty Service. Complete the registration form at hornady.com/warranties.

TO RECEIVE WARRANTY SERVICE

To report a warranty claim, call Hornady® at 800-338-3220 to request a return authorization number. Returns will not be accepted without prior return authorization by Hornady.®

POST-WARRANTY SERVICE INFORMATION

For issues concerning service after the Limited Warranty expires, contact Hornady® at 800-338-3220.



Scan to register your product to receive the full benefit of its warranty.

PRODUCT SERIAL NUMBER AND REFERENCE INFORMATION

You must register your product in order to obtain warranty service. In the event you should need service for your product, please note the following information:

Serial Number _____

Date Purchased _____

Retailer _____

FCC STATEMENT

This equipment has been tested and found to comply with the limits for a Class B digital device, pursuant to part 15 of the FCC Rules. These limits are designed to provide reasonable protection against harmful interference in a residential installation. This equipment generates, uses and can radiate radio frequency energy and, if not installed and used in accordance with the instructions, may cause harmful interference to radio communications. However, there is no guarantee that interference will not occur in a particular installation. If this equipment does cause harmful interference to radio or television reception, which can be determined by turning the equipment off and on, the user is encouraged to try to correct the interference by one or more of the following measures:

- Reorient or relocate the receiving antenna.
- Increase the separation between the equipment and receiver.
- Connect the equipment into an outlet on a circuit different from that to which the receiver is connected.
- Consult the dealer or an experienced radio/TV technician for help.

This device complies with part 15 of the FCC Rules. Operation is subject to the following two conditions: (1) This device may not cause harmful interference, and (2) this device must accept any interference received, including interference that may cause undesired operation.



Hornady
Accurate. Deadly. Dependable.®

P.O. Box 1848, Grand Island, NE 68802-1848
hornady.com/contact