



## READ THIS FIRST

### TIP OVER HAZARD

Tipping of safe by a child or adult can result in serious injury or death. Follow all instructions for properly securing safe to avoid tipping. Children should never play with or around safe.



### GUN STORAGE SAFETY

As a firearms owner, you are responsible for ensuring that guns in your home are kept inaccessible to children and other unauthorized persons. Firearms should be stored unloaded and locked in a safe, safe or storage case.

Gun locking devices, which render firearms inoperable, can be used in addition to locked storage. Always double-check firearms to confirm that they are unloaded when removing them from storage.

### KEY STORAGE

Always keep keys in a secure location away from children. Keep a record of your key number in a secure location away from security safe as a reference for obtaining new keys.

## Important Information

- **For trouble-free operation of your Premium Safe, please read and understand all instructions before use.**
- **Questions? Call our tech line at 800-338-3220.**
- **Never store loaded firearms in the Premium Safe. Follow local laws for firearm storage.**

## INCLUDES

- Anchor Bolts (770545)
- Skeleton Keys
- User Manual

## PREMIUM SAFE FEATURES:

- Thick steel exterior walls
- Fire Shield protection - 1200°F, 30 minutes
- Heat activated door fire seals
- Digital Lock with override keys
- Powder coated finish
- Lined interior
- Adjustable lined shelves
- Predrilled for floor mounting

## SPECIFICATIONS

### 12-Gun Premium Gun Safe

Item No.: 75130  
 Ext. Dimensions: 55" H x 18" W x 14" D  
 Int. Dimensions: 53" H x 16" W x 8.5" D  
 Input Power: N/A  
 Output Power: N/A  
 Keypad Power: 9V Battery not included  
 Shipping Weight: 204 Lbs

### 18-Gun Premium Gun Safe

Item No.: 75131  
 Ext. Dimensions: 55" H x 20" W x 17" D  
 Int. Dimensions: 53" H x 18" W x 11.5" D  
 Input Power: N/A  
 Output Power: N/A  
 Keypad Power: 9V Battery not included  
 Shipping Weight: 281 Lbs

### 30-Gun Premium Gun Safe

Item No.: 75132  
 Ext. Dimensions: 55" H x 25" W x 20" D  
 Int. Dimensions: 53" H x 23" W x 14.5" D  
 Input Power: 110V 60Hz AC  
 Output Power: 110VAC and 5VDC  
 Keypad Power: 9V Battery not included  
 Shipping Weight: 350 Lbs

### FCC STATEMENT

This equipment has been tested and found to comply with the limits for a Class B digital device, pursuant to part 15 of the FCC Rules. These limits are designed to provide reasonable protection against harmful interference in a residential installation. This equipment generates, uses and can radiate radio frequency energy and, if not installed and used in accordance with the instructions, may cause harmful interference to radio communications. However, there is no guarantee that interference will not occur in a particular installation. If this equipment does cause harmful interference to radio or television reception, which can be determined by turning the equipment off and on, the user is encouraged to try to correct the interference by one or more of the following measures:

- Reorient or relocate the receiving antenna.
- Increase the separation between the equipment and receiver.
- Connect the equipment into an outlet on a circuit different from that to which the receiver is connected.
- Consult the dealer or an experienced radio/TV technician for help.

## Owner's Manual



# Premium Gun Safe



Customer Service: PO Box 1848, Grand Island, NE 68802-1848  
 1-877-214-4470 | info@snapsafe.com

**Congratulations on the purchase of your new Premium Gun Safe!** Your safe is built to the highest quality standard for a lifetime of security. Below are some suggestions for installation, usage and maintenance of your safe.

## INSTALLATION

**Skid Removal:** Upon receiving your safe, you may find it attached to a shipping skid. The skid is secured from the underside of the safe by four bolts. A wrench or socket is required to remove the bolts. While removing the bolts from the skids, be sure to have a person hold and stabilize the safe in order to keep it from tipping, causing injury, or damage to the safe and surrounding structures. To avoid rust on the safe, never set the safe directly on a wet floor.

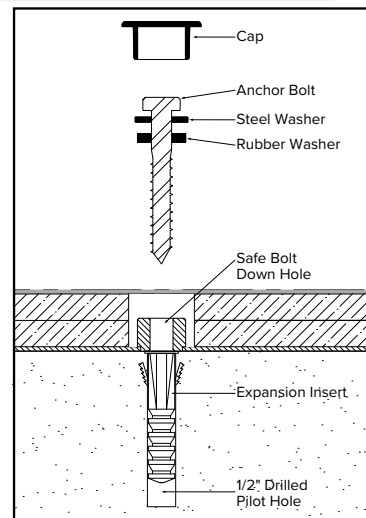
**Leveling Your Safe** – Once in place, your safe may need to be shimmed to prevent the door from swinging open too quickly, or closing by itself.

**Bolting Down Your Safe** - Your safe is designed to support itself when the door is opened. However, caution should be used to avoid pulling it over. To maximize security and stability, bolting the safe to the floor is required. This safe is shipped with a bolt down kit

**NOTE – The anchor kit provided is intended for a concrete floor. If you desire to bolt down to wood floor, please obtain the correct lag screws and anchors for the weight of the safe and material you are going into.**

## BOLT DOWN YOUR SAFE TO FLOOR

- On the floor of your safe remove the black caps. This will provide access to the bolt down holes of your safe.
- Drill 2 pilot holes in the floor, matching locations of bolt down holes on your safe.
  - CONCRETE FLOORS:**  
Use a 1/2" concrete bit and the included expansion inserts.
  - WOOD FLOORS:**  
Hardware not included.
- Place the included anchor bolts through the bolt down holes, and into the drilled holes and tighten.

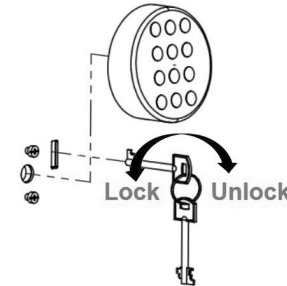


## CHANGING YOUR COMBINATION CODE

**IMPORTANT NOTE:** The first time you open your safe, you will need to use the override key or factory set 1-2-3-4-5-6-# combination code .

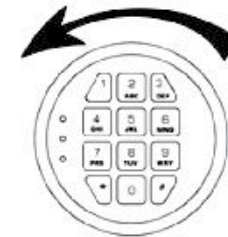
## OVERRIDE KEY

To use the override key, gently twist the electronic keypad counter-clockwise. Behind the lock is the override keyhole. Insert and turn the key clockwise to open the safe.



## BATTERY INSTALLATION

This lock requires one high quality 9V alkaline battery. Under normal use, batteries will last about 1 year. When the battery is low and you press a button on the keypad, a red light will come on warning you that the battery is low. To test the battery, enter your security code. If the batteries are low the red light will come on momentarily. To replace the battery, remove the cover by pressing the tab and turning the cover counter-clockwise.



**NOTE:** When changing the battery, always hold the battery connecting cap while disconnecting or attaching the battery. Do not pull on wires as it may damage the battery terminal.

## PROGRAMMING A NEW COMBINATION CODE

After opening the door, press and release the reset button located on the side of the door near the upper inside deadbolt. The keypad will beep twice and illuminate a solid yellow light indicating the safe has entered the program mode. While the yellow light is on, enter the new 1 to 8 digit code followed by the \* button to store your code. With the door open, test your new code followed by the # button.

**Note:** Verify the new code at least 3 times with the door open. Make sure you are comfortable with the operation of your safe before locking valuables inside.

## OPENING AND CLOSING YOUR SAFE

### OPEN SAFE:

- Enter the 6-digit combination codes, followed by “#”.
- Rotate 3-spoke handle clockwise into the open position and pull door open.
- The Entry Keypad re-locks in 6 seconds after a valid code has been entered.
- The Entry Keypad will return to “standby” status if there is no operation in 10 seconds after the system has been activated.
- If the incorrect combination code is entered 3 times, you will have an automatic lockout for 20 seconds before you can try your code again. If 3 more failed attempts are entered, the keypad will lockout for 5 minutes.

### CLOSE SAFE:

- Close safe door.
- Rotate 3-spoke handle counter-clockwise to the closed position until you hear bolts engage.

## QUIET MODE – SILENT OPERATION

The audible keypad tones can be muted by entering code “\*633”. To turn the sound back on, enter code “\*66”.

## CARE AND MAINTENANCE

With a little care and maintenance your safe will last a lifetime. Keep the door hinge pins lightly lubricated so that the door opens smoothly. Never use harsh solvents or abrasives on any surfaces, as they may damage the exterior finish or interior materials.

## LIFETIME WARRANTY

If you ever experience a fire or attempted break-in we'll repair or replace your safe at no charge. All you have to do is to forward the report from the proper investigative agency.