

## Owner's Manual



# DIGITAL GUN CABINET

12-GUN

Item No. 95114



18-GUN

Item No. 95115



Instructional videos for Hornady Security® products are available at [hornady.com](http://hornady.com).



# READ THIS FIRST

## TIP OVER HAZARD

Tipping of cabinet by a child or adult can result in serious injury or death. Follow all instructions for properly securing cabinet to avoid tipping. Children should never play with or around cabinet.



## GUN STORAGE SAFETY

As a firearms owner, you are responsible for ensuring that guns in your home are kept inaccessible to children and other unauthorized persons. Firearms should be stored unloaded and locked in a cabinet, safe or storage case.

Gun locking devices, which render firearms inoperable, can be used in addition to locked storage. Always double-check firearms to confirm that they are unloaded when removing them from storage.

## KEY STORAGE

Always keep keys in a secure location away from children. Keep a record of your key number in a secure location away from security cabinet as a reference for obtaining new keys.

## Important Information

- **For trouble-free operation of your cabinet, please read and understand all instructions before use.**
- **Questions? Call our tech line at 800-338-3220.**
- **Never store loaded firearms in the cabinet. Follow local laws for firearm storage.**

## INCLUDES

- Gun Rack (3)
- Gun Rack Hardware (3)
- Floor Mat
- Barrel Keys (2)
- User Manual

## SPECIFICATIONS

### 12-Gun

Item No. 95114

Ext. Dimensions:  
55.0" H x 18.0" W x 15.0" D

Int. Dimensions:  
54.3" H x 17.9" W x 13.8" D

Weight: 75 Lbs

Power: 4 AA batteries  
(not included)

### 18-Gun

Item No. 95115

Ext. Dimensions:  
55.0" H x 21.0" W x 18.0" D

Int. Dimensions:  
54.3" H x 20.9" W x 16.8" D

Weight: 88 Lbs

Power: 4 AA batteries  
(not included)

## GETTING STARTED

1. Remove key override cover.
2. Open the cabinet with the included mechanical override key.
3. Remove the battery cover inside the cabinet.
4. Insert 4 AA batteries and replace the battery cover.  
**Note:** *Replace batteries periodically to optimize performance.*
5. Do not close the door before testing digital lock.  
**Note:** *Do not store the keys in cabinet.*



## PROGRAMMING THE CODE

1. Open the cabinet with either the mechanical override key or default code.
2. Press and release the reset program button inside the door. The cabinet will beep twice and the keypad will blink green twice.
3. Enter the new code (4 to 6 digits) then press the ENTER button. The keypad should beep and blink green two times.
4. Re-enter the same new code then press the ENTER button. The keypad should beep and blink yellow two times.  
**Note:** *If a mismatched code is entered during programming, the keypad will blink red and beep three times. Return to step 2 to enter a new code.*
5. With the door open, enter the new code followed by ENTER to confirm the  
**Note:** *Become comfortable with the operation of your cabinet before storing anything of value inside.*

## OPEN SAFE BY COMBINATION CODE

Enter the previously programmed 4 to 6 digit code to open the cabinet, followed by the ENTER button. Rotate handle to release latch and pull door open.

- Pressing a button should illuminate the green keypad lights.
- When a correct code is entered, the keypad will beep and illuminate green for six seconds while the lock is disengaged. The knob can be rotated and the door opened during this time.
- If an incorrect code is entered, the keypad will blink red and beep two times.
- After five incorrect entries, the keypad will beep and lock out for 2 minutes. The safe can only be opened by the mechanical key during this time.

## SECURE CABINET

To prevent theft and tipping, cabinet must be secured to wall studs and/or floor in a dry, secure area. Cabinet should be flat against wall studs and/or floor. (Hardware not included.)

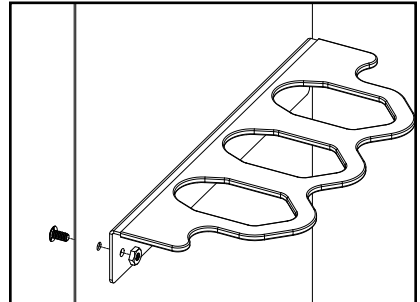
## KEYPAD TONES ON/OFF

Press and hold the "1" button for three seconds to toggle sound ON and OFF.

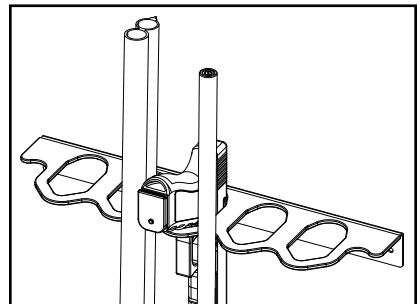
**Note:** *Toggling the sound off will turn the keypad, program, and alarm beeps off. Toggling the sound on will turn the keypad, program, and alarm beeps on.*

## GUN RACK INSTALLATION

The included gun racks are designed to install along either the back or side walls. To install gun racks, use the included hardware and a 3/8" wrench to attach to walls of cabinet.



The slot in the center of the rack is designed to hold most full-size pistols between long gun barrels.



## LIMITED WARRANTY

Hornady Security® warrants the Gun Cabinet will, in normal use and service, be free from defects in workmanship or materials for one (1) year from date of purchase.

This Limited Warranty does not cover any of the following:

- (a) Damage, deterioration, or malfunction resulting from accident, negligence, misuse, improper installation, or lack of maintenance;
- (b) Any defects not discovered and reported to Hornady Security® during the one (1) year warranty period;
- (c) Usual and customary deterioration or wear resulting from normal use.

This Limited Warranty is not transferable and is enforceable by the original owner only. In the event that Hornady Security® receives notice from the original purchase of a warranty claim in conformity herewith, Hornady Security® will promptly undertake an investigation of such claim. If the warranty claim is covered by the Limited Warranty, Hornady Security® will, in its sole discretion, repair the defect(s) or replace Gun Cabinet at the expense of Hornady Security®.

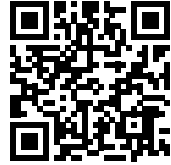
**Disclaimer of Implied Warranties. EXCEPT AS IS OTHERWISE EXPRESSLY SET FORTH IN THE ABOVE LIMITED WARRANTY, HORNADY SECURITY® MAKES NO OTHER REPRESENTATIONS OR WARRANTIES OF ANY KIND, WHETHER EXPRESSED OR IMPLIED, BY OPERATION OF LAW OR OTHERWISE WITH RESPECT TO THE RAPiD® SAFE OR ANY COMPONENT PART THEREOF, INCLUDING WITHOUT LIMITATION ANY REPRESENTATION OR WARRANTY WITH RESPECT TO MERCHANTABILITY OR FITNESS FOR ANY PARTICULAR PURPOSE OR USE.**

**Limitation on Liability. THE OBLIGATION OF HORNADY SECURITY® TO REPAIR OR REPLACE AS PROVIDED ABOVE SHALL BE THE SOLE AND ONLY REMEDY RESPECTING ANY DEFECT IN THE GUN CABINET, OR ANY COMPONENT PART THEREOF. IN THE EVENT THAT THE FOREGOING REMEDY FAILS OF ITS ESSENTIAL PURPOSE, THE LIABILITY OF HORNADY SECURITY® TO PURCHASER SHALL NOT, IN ANY EVENT, EXCEED THE ACTUAL PURCHASE PRICE OF THE NON-CONFORMING GOODS; AND**

**Limitation on the Nature of Damages. HORNADY SECURITY® SHALL NOT, UNDER ANY CIRCUMSTANCES, BE LIABLE TO THE PURCHASER OR ANY THIRD PARTY FOR ANY SPECIAL, INDIRECT, INCIDENTAL, CONSEQUENTIAL, LIQUIDATED OR PUNITIVE DAMAGES OF ANY NAME, NATURE OR DESCRIPTION. HORNADY SECURITY® IS NOT RESPONSIBLE FOR DAMAGE TO OR THEFT OF THE GUN CABINET, OR ITS CONTENTS.**

## PRODUCT REGISTRATION AND SERVICE

You must register your product to obtain Warranty Service. Complete the registration form at [hornady.com/warranties](http://hornady.com/warranties).



*Scan to register your product to receive the full benefit of its warranty.*

### To Receive Warranty Service

To report a warranty claim, call Hornady® at 800-338-3220 to request a return authorization number. Returns will not be accepted without prior return authorization by Hornady®. When a return authorization number has been obtained, be sure all contents have been removed from the cabinet before sending it for service. Hornady® is not liable for any loss, theft, or damage to personal property.

### Post-Warranty Service Information

For issues concerning service after the Limited Warranty expires, contact Hornady® at 800-338-3220.

## PRODUCT SERIAL NUMBER AND KEY NUMBER REFERENCE

You must register your cabinet in order to obtain warranty service. In the event you should need service for your product, please note the following information:

**Serial Number** \_\_\_\_\_  
(see the back or bottom of safe)

**Key Number** \_\_\_\_\_  
(see the face of the lock)

After recording the information, store user manual and spare keys in a secure location outside the safe.

#### FCC Warning Statement

Changes or modifications not expressly approved by the party responsible for compliance could void the user's authority to operate the equipment.

This equipment has been tested and found to comply with the limits for a Class B digital device, pursuant to part 15 of the FCC Rules. These limits are designed to provide reasonable protection against harmful interference in a residential installation.

This equipment generates, uses and can radiate radio frequency energy and, if not installed and used in accordance with the instructions, may cause harmful interference to radio communications. However, there is no guarantee that interference will not occur in a particular installation.

If this equipment does cause harmful interference to radio or television reception, which can be determined by turning the equipment off and on, the user is encouraged to try to correct the interference by one or more of the following measures:

- Reorient or relocate the receiving antenna.
- Increase the separation between the equipment and receiver.
- Connect the equipment into an outlet on a circuit different from that to which the receiver is connected.
- Consult the dealer or an experienced radio/TV technician for help.

#### FCC Radiation Exposure Statement

The antennas used for this transmitter must be installed to provide a separation distance of at least 20 cm from all persons and must not be co-located for operating in conjunction with any other antenna or transmitter.

This device complies with part 15 of the FCC Rules. Operation is subject to the following two conditions:

(1) This device may not cause harmful interference, and (2) this device must accept any interference received, including interference that may cause undesired operation.



P.O. Box 1848  
Grand Island, Nebraska 68802-1848  
[Hornady.com/contact](http://Hornady.com/contact)