

ASSEMBLY INSTRUCTIONS



6-GUN PISTOL RACK

Item No. 95832

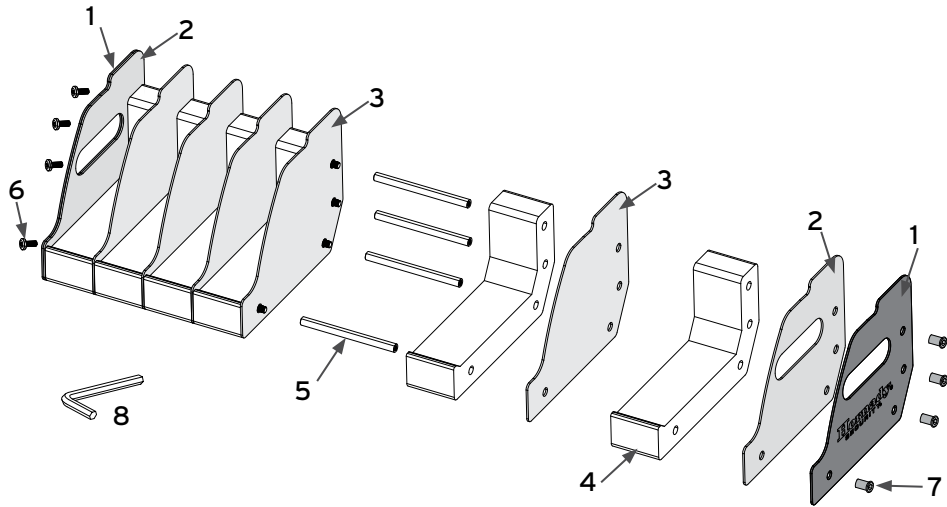


P.O. Box 1848, Grand Island, Nebraska 68802-1848
hornady.com/contact

Instructional videos for Hornady Security® products are available at hornady.com.

Safely organize two, four or six handguns on a shelf in your safe or vault room, thanks to the partition design of this versatile pistol rack. High-density foam and plastic dividers protect handguns while threaded steel pins and thick side plates provide strength and rigidity.

INCLUDED IN BOX



Part	Description	Qty
1	Steel End Plates	2
2	Plastic Divider (w/ Handle)	2
3	Plastic Dividers	5
4	High-density EVA Foam	6
5	Connecting Rods	12
6	M5x0.8 Binding Screw	4
7	M5x0.8 Binding Barrel	4
8	3mm Hex Wrench	2

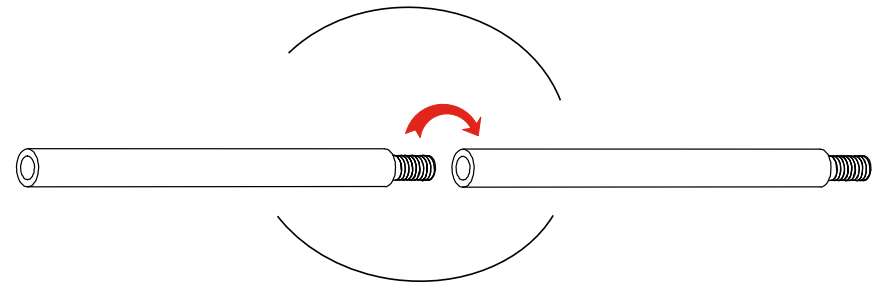
FINAL ASSEMBLED SPECIFICATIONS

External Dimensions: 12.1"W x 7.5"D x 6.0"H
 Spacing Between Dividers: 1.9"
 Weight: 3.4 Lbs.

ASSEMBLY

1 To assemble full 6-gun rack, thread three Connecting Rods together. Install one Binding Screw (6) onto the end of the group of Connecting Rods using the 3mm Hex Wrench. Repeat process four times.

NOTE: To build a 2-gun or 4-gun rack, use only one or two Connecting Rods respectively.



2 Stack Steel End Plate, Plastic Dividers, and EVA Foam onto Connecting Rods according to diagram.

NOTE: Remove protective film from Plastic Dividers before assembling.

3 After stacking foam, dividers, and steel end plate onto Connecting Rods install a Binding Barrel (7) onto each Connecting Rod and tighten until snug.

