

PRODUCT REGISTRATION AND SERVICE

You must register your product to obtain Warranty Service. Complete the registration form at hornady.com/warranties.

Hornady Security® electronic components are covered by a one-year warranty from the date of purchase. See Hornady.com for details.

TO RECEIVE WARRANTY SERVICE

To report a warranty claim, call Hornady® at 800-338-3220 to request a return authorization number. Returns will not be accepted without prior return authorization by Hornady.®

POST-WARRANTY SERVICE INFORMATION

For issues concerning service after the Limited Warranty expires, contact Hornady® at 800-338-3220.

PRODUCT SERIAL NUMBER AND KEY NUMBER REFERENCE

You must register your in order to obtain warranty service. In the event you should need service for your product, please note the following information:

Serial Number _____
(see the back or bottom of safe)

Key Number _____
(see the face of the lock)

Date Purchased _____

Retailer _____

After recording the information, store user manual and spare keys in a secure location outside the safe.

FCC WARNING STATEMENT

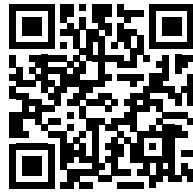
This equipment has been tested and found to comply with the limits for a Class B digital device, pursuant to part 15 of the FCC Rules. These limits are designed to provide reasonable protection against harmful interference in a residential installation. This equipment generates, uses and can radiate radio frequency energy and, if not installed and used in accordance with the instructions, may cause harmful interference to radio communications. However, there is no guarantee that interference will not occur in a particular installation. If this equipment does cause harmful interference to radio or television reception, which can be determined by turning the equipment off and on, the user is encouraged to try to correct the interference by one or more of the following measures

- Reorient or relocate the receiving antenna.
- Increase the separation between the equipment and receiver.
- Connect the equipment into an outlet on a circuit different from that to which the receiver is connected.
- Consult the dealer or an experienced radio/TV technician for help.

WARNING

Changes or modifications to this unit not expressly approved by the party responsible for compliance could void the use's authority to operate the equipment.

Hornady Manufacturing Co.
P.O. Box 1848, Grand Island, Nebraska 68802-1848
hornady.com/contact



Scan to register your product to receive the full benefit of its warranty.

Owner's Manual



DIGI-VAULT™



1-GUN

Item No. 95443

Ext. Dim.: 5.8"H x 12.0"W x 9.3"D
Int. Dim.: 3.5"H x 10.3"W x 7.1"D
Weight: 11.0 Lbs.
Power: 4 AAA batteries (not included)
Country of Origin: China

2-GUN

Item No. 95440

Ext. Dim.: 9.6"H x 12.0"W x 9.3"D
Int. Dim.: 7.4"H x 10.3"W x 7.1"D
Weight: 15.2 Lbs
Power: 4 AAA batteries (not included)
Country of Origin: China



Scan for instructional video.

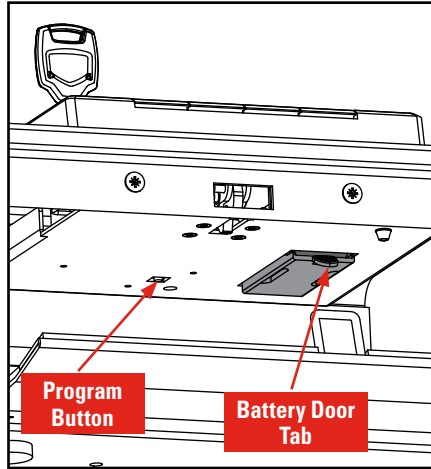
INCLUDES

- Two (2) Snake Groove Keys
- 5' Security Cable
- Warranty Card
- One (1) Shelf Panel (2-Gun only)
- User Manual

POWER

1. Open the safe with either the mechanical override key or a previously programmed code.
2. Locate the battery compartment door on the top interior panel.
3. Swing the battery compartment door open by pressing the tab on the door.
4. Gently remove the 4-pack battery carrier from the door and insert four high-quality AAA batteries.
5. Place the battery carrier back into the door and close.

Note: Replace all batteries at the same time. Use high quality batteries for best performance

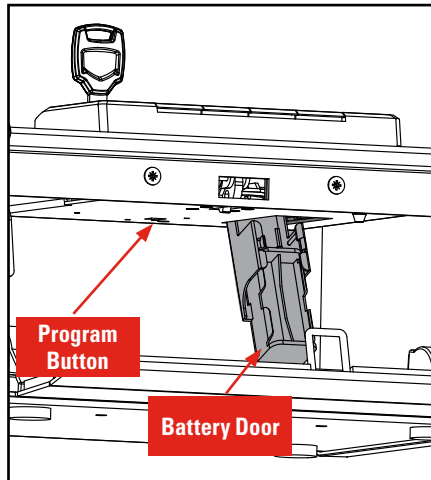


PROGRAMMING/RESET COMBINATION CODE

1. Open the safe with either the mechanical override key or a previously programmed code.

Note: The vault ships with the default code of 1-2-3-4. To maintain the security of this product, a new code must be programmed before using.

2. Locate the program button inside the safe near the battery compartment. Press and release the program button. The light blinks and beeps two times.
3. Enter the new 4- to 6-digit code. Press and release the program button to enter the new code. The light will blink and beep twice.
4. Re-enter the new 4- to 6-digit code. Press and release the program button to confirm the new code. The light will blink and beep twice before remaining on for 6 seconds. After the light turns off, the safe returns to normal operation.



5. With the lid open, verify that the new code has been programmed and is functional by entering the new code. The safe motor should cycle after each correct entry.

Note: Become comfortable with the operation of your safe before mounting your safe and storing anything of value inside.

OPEN GUN VAULT BY COMBINATION CODE

Enter the previously programmed 4 to 6 digit code to open the safe.

Note:

- Pressing a button should illuminate the keypad in red.
- When a correct code is entered, the keypad will turn red and the door should open.
- If an incorrect code is entered, the keypad will blink red and beep two times.
- After five incorrect entries, the safe will beep and lock out for 2 minutes. The safe can only be opened by the mechanical key during this time.

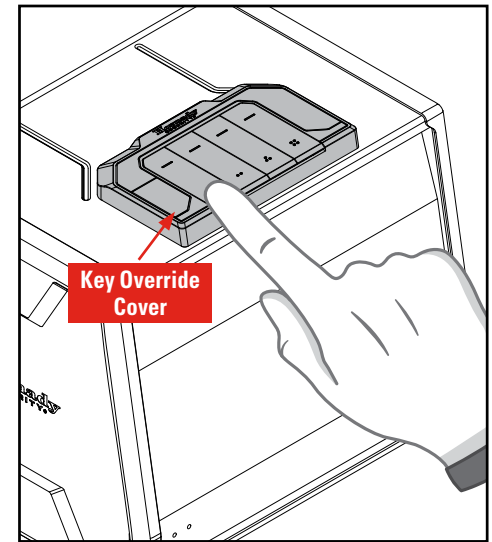
LOW BATTERY WARNING

To check the battery level, press any button to illuminate the keypad. If the battery level is lower than 25%, the keypad will illuminate in yellow. The batteries should be replaced immediately to ensure proper function.

KEYPAD TONES ON/OFF

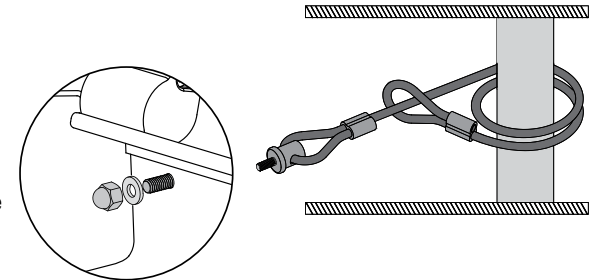
Press and hold the "1" button for three seconds to toggle sound ON and OFF.

Note: Toggling the sound off will turn the keypad, program and alarm beeps off. Toggling the sound on will turn the keypad, program and alarm beeps on.



SECURITY CABLE INSTALLATION

The included security cable can be used to secure the safe to a stationary object. Loop the cable around an opening in a strong and secure immovable object. Feed the threaded connector end of the cable through the opposite loop. Insert the threaded stud into the hole in the back of the



safe and install washer and nut to secure the cable to the safe.

Confirm cable is secure and cannot be removed from stationary object before storing anything of value inside the safe.